

Blind Vision: Smart Wearable Assistive System for Visually Impaired Navigation

Dr.E.Sreedevi M.E.,Ph.d, Nandhana .S, S.Akalyalekshmi, Anisha Mol.A, Vivitha .M.N

Department of Bio Medical, Rohini College of Engineering and Technology, Anjugramam, Tamil Nadu, India

Department of Bio Medical, Rohini College of Engineering and Technology, Anjugramam, Tamil Nadu, India

ABSTRACT: Assistive technologies are being necessary to enhance mobility and independence of visually impaired people because traditional aids offer little environmental awareness. Difficulties in real-time detection of obstacles and navigation are still influencing the safety and confidence of the users. This paper is introducing Blind Vision system a smart wearable device, a smart wearable is developed on the basis of Raspberry Pi, ultrasonic sensor, Pi camera and a speaker to facilitate effective navigation. The system is also incorporating the distance sensing and vision analysis to identify obstacles and produce real-time audio feedback. The experimental findings are proving correct obstacle detection, low response time and stable performance whether in indoor or outdoor settings. Effective sensor integration and real-time processing is enabling the system to achieve better navigation support. The lightweight design and cost-effective implementation are enhancing usability and accessibility. The general result is that the suggested system is delivering a useful and effective assistive technology to visually impaired people.

KEYWORDS: Assistive Technology, Raspberry Pi, Obstacle Detection, Smart Glasses, Computer Vision, Ultrasonic Sensor

I. INTRODUCTION

Assistive technology is increasingly contributing towards enhancing the quality of life of people living with visual impairment [1]. Independent navigation and mobility is also a continuing challenge as there is still no real time environmental perception. The inability to identify barriers, find a way, and perceive the conditions around is constantly imposing restrictions on safe mobility, particularly in busy and unfamiliar spaces [2]. Conventional mobility aids like white canes and guide dogs are partly helping, but these solutions do not have the capability of locating obstacles that are far, over-head, or dynamic. Poor sensing coverage and lack of contextual awareness are adding to lower efficiency and higher risk in the process of navigation [3].

The progress in embedded systems, sensor technologies, and artificial intelligence is making it possible to create intelligent assistive solutions [4]. The combination of gadgets like cameras, ultrasonic sensors, and small processing units is enabling real-time observation of the environment [5]. The instantaneous collection of data and its processing is enabling precise obstacle identification and environmental cognition. Ensuring accessibility to visually impaired users by conversion of processed information to audio feedback is also available since the auditory perception is acting as the main communication channel [6]. Smart glasses that are fashioned into a wearable system are offering an easy to use and convenient solution to hands-free devices, which are more comfortable and convenient to use in daily use.

Blind Vision system is filling the short-coming of the available assistive tools through integrating the vision-based analysis with the distance sensing. The process of having the correct proximity measurement by means of continuous detection of obstacles with ultrasonic sensors and the provision of supplemental contextual information by means of image capturing with a camera is underway [7]. Real-time response generation and quick decision-making are becoming possible due to the processing of sensor and visual data with the help of the Raspberry Pi. The voice notifications produced in a speaker are assisting users well as they do not need external help and feel more confident when navigating [8].

The affordability, portability and reliability are being targeted in the proposed system to make it accessible to a larger population. The 3D-printed smart glasses are being designed in a lightweight manner, improving the comfort of users, and cheap components are being used, which contributes to economic viability. The system has been successfully

performing in indoor and outdoor settings, which makes the solution flexible to different real-life applications. Reliability and privacy is being guaranteed by continuous operation without relying on internet connections.

The main contributions of the work are:

- Design a wearable smart glass system that enables visually impaired people to navigate with embedded technology.
- The use of ultrasonic sensors and a camera to provide distance measurements and analysis of the environment together.
- The real-time obstacle detection based on sensor fusion.
- The use of Raspberry Pi as a central processing unit to handle data effectively and make decisions.
- Intuitive and hands-free interaction by means of audio-based feedback using a speaker.

The remainder of this study is to give a systematic description of the proposed Blind Vision system. Section II is the literature review that will examine the current assistive technologies and determine the gaps in the research. Section III is outlining the planned methodology, which involves the system workflow and functional approach. Section IV is explaining the system design and implementation with hardware components, block diagram and module descriptions. Section V is introducing the findings and closing the study by summarizing the system performance and recommending potential opportunities to improve the system.

II. LITERATURE REVIEW

Sharma et al. [9] are proposing an IoT-based wearable assistance device to guide the visually impaired using a real-time obstacle detection system, in which connected sensors and cloud-based processing are being employed to provide real-time obstacle detection. The system is incorporating various sensing modules in order to make the system more aware of the environment and to make the system safer to its users. The adaptive navigation support is being facilitated by continuous monitoring and data transmission. But reliance on internet connectivity is crippling the reliability of systems in low-network areas and increased power usage is impacting the portability.

Kumar et al. [10] are working on sound-based navigation system based on multi-sensor fusion methods which are a combination of ultrasonic sensors, GPS and computer vision to deliver precise obstacle detection and directional control. Combining various sources of data is enhancing accuracy of detection and efficiency in navigation. Audio feedback is making user interaction in real time possible. Although these benefits exist, there has been an increase in system complexity through multiple sensor integration, and there is an issue of processing latency that is being experienced in dynamic environments at the expense of real time responsiveness.

Rodriguez et al. [11] are exploring the use of wearable assistive technology among the visually impaired using the sophisticated sensor-based technologies, such as radar, cameras and GPS modules. The research is highlighting multimodal sensing towards better environmental knowledge and adaptive navigation. Constant sensing and intelligent processing are being used to develop enhanced situational awareness. Nevertheless, the cost of implementation and the size of the devices are decreasing usability and making them difficult to use at scale.

Patel et al. [12] are proposing a smart navigation system that applies built in sensors and mobile applications to aid mobility of the visually impaired. The system is integrating ultrasonic sensing with a GPS based tracking system to give obstacle detection and location guidance. Live alerts are enhancing road safety and decision making. However, dependency on the cell phones is making life less convenient and performance is being impacted by inaccurate GPS positioning in an indoor or high density urban area.

Chen et al. [13] are in the process of developing a wearable smart glass obstacle avoidance system, with lightweight design and real-time image processing contributing to its usability and effectiveness. The system is employing camera-based detection to detect obstacles and give immediate feedback. The small size is enhancing ease of use and mobility. Yet, camera-based detection is proving to be less accurate in low-light situations and computation needs are adding up to the cost of the system.

Singh et al. [14] are working on smart glasses that are ultrasonic and run on renewable energy sources, which are energy-efficient and sustainable. Ultrasonic sensing is being used to find out the continuous obstacles and energy harvesting is

making them less dependent on external sources of power. The system is enhancing system life and environmental friendliness. Although these are positive, lack of vision-based analysis is constraining environmental knowledge, and there is only the ability to detect at a distance.

Ahmed et al. [15] are also suggesting an IoT-based navigation device that uses ultrasonic and GPS to provide mobility to the visually impaired. It is providing a real-time obstacle detection system and location tracking to facilitate safe navigation. The inter-module communication of data is improving the functionality of the system. Nevertheless, the dependency of IoT is resulting in more complexity to the systems and the delay in transmitting data is compromising instant response during emergency cases.

A. Research Gap

Current research is concentrating on individual-modality solutions like sensor-based or vision-based detection, which restricts the overall system functionality [9], [11]. The low level of interconnection of multimodal sensing methodologies is hampering precision and surroundings perception in real-time conditions [10], [12]. The cost of implementation and complicated hardware arrangements are limiting access to big scale implementation [13]. Reliability in low-network systems is being impacted by dependency on internet connectivity in IoT-based systems. Multi-sensor systems are becoming more responsive to real-time responsiveness in dynamic environments due to processing delays. The vision-based techniques are demonstrating less efficiency in low-light conditions or other adverse environment conditions. The sensor-only systems do not have contextual awareness, which limits successful navigation decisions. Such constraints are driving the creation of a cost-effective, wearable and integrated Blind Vision system that is a combination of ultrasonic and camera-based processing.

III. SYSTEM DESIGN ARCHITECTURE

The block diagram (Figure 1) represents a Raspberry Pi-based AI vision assistance system designed to help visually impaired individuals detect obstacles and navigate safely. The system combines an infra-red camera and ultrasonic sensor that can be used to capture visual and distance data at the same time. The ultrasonic sensor and the camera give real time views of the environment, including the low-light situations, with the camera being able to detect the distance to objects in the vicinity through sound wave reflection. The Raspberry Pi processes all of the collected data and determines the obstacles and evaluates their distance using image-processing algorithms and distance analysis. According to this analysis, the system produces the right audio feedback, which is amplified and produced by the use of a speaker as real-time voice alerts. This synergized act of sensing, processing, and feedback gives the user the ability to make sense of the world around him or her using sound, which enhances safety and independence.

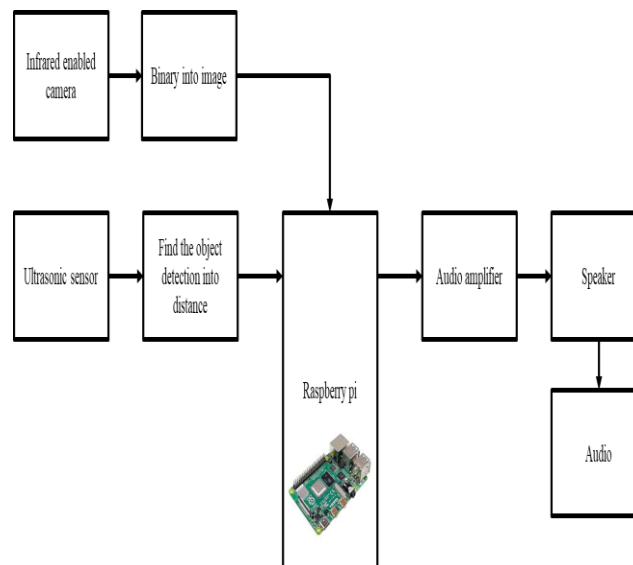


Fig 1: Block Diagram of the proposed model

The system works under three general functional steps; input, processing and output. The input phase is comprised of a camera and an ultrasonic sensor that is attached to a wearable smart glass that continuously collects the data about the environment. The ultrasonic sensor maintains accurate measurements of the distance, irrespective of light conditions, whereas camera records information about the object to be detected. These inputs give a holistic view of the environment and are sent to the processing unit. The Raspberry Pi is the processing unit and the brain of the system as it processes both distance and visual data in real-time. It detects any hindrances, measures the levels of risk and decides on appropriate navigation instructions based on programmed algorithms. Lastly, this information is passed on to the user by the output stage which in this case is a speaker and which delivers the information as clear voice alerts thus allowing the user to interact with the device without using hands. This smooth input-processing-output integration makes visually impaired users more mobile and confident, as it provides them with efficient, reliable, and real-time support.

B. Proposed VISTA-Net Model

The system proposed presents a novel lightweight and efficient deep learning framework called VISTA-Net (Vision-Inspired Spatial-Temporal Attention Network) that is developed with the purpose of real-time assistive navigation in highly resource-constrained embedded systems. VISTA-Net is optimized to focus on context-aware detection, motion sensitivity and computational efficiency, unlike conventional object detection models like YOLO or SSD, which are optimized to be general-purpose detectors. The architecture is based on the human visual system, where the visual perception is achieved via a mixture of the global scene perception and the localized attention. The first step of the model is a rough description of the environment, that is, it determines regions of interest (ROI). It then concentrates the computational power on these areas to obtain finer-grained features. This attention mechanism is selective and thus greatly reduces off-target processing and leads to better real-time performance on devices like Raspberry Pi. Moreover, VISTA-Net combines spatial and temporal learning, which allows the system to recognize the objects and, moreover, comprehend their motion patterns and anticipate possible collision dangers. This renders the model especially useful in dynamic settings like congested streets or indoors navigation areas.

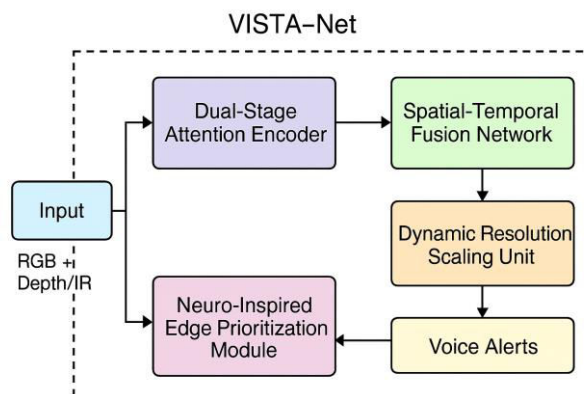


Fig 2: Proposed VISTA-Net Architecture

C. Core Modules

1. Dual-Stage Attention Encoder

The basic unit of VISTA-Net is the Dual-Stage Attention Encoder, which is in charge of the hierarchical features extraction and attention filtering. It works in a two-phase process which replicates the human eye visual process. During the first stage (Global Scene Encoding) a low-resolution version of the entire input frame is computed to encode global context. In the process, irrelevant background information including non-critical regions, floors and walls are suppressed hence cutting down on the computational overhead thereby only concentrating on meaningful data. The second stage is called the Focused Attention Mechanism, and high-resolution processing is selectively provided to areas in the image that have been found to be important during the first stage. These areas are usually filled with moving objects, obstacles and possible hazards. This restrictive refining is both more accurate in detection and cost-efficient in computation. In general, the two-stage attention strategy facilitates dynamically allocating processing resources depending on environmental relevance, which is very similar to human visual cognition.

2.Spatial–Temporal Fusion Network

The Spatial–Temporal Fusion Network improves the detection rate of the system by adding motion awareness to the system by analyzing successive frames. The module has used advanced methods like 3D convolutional layers and recurrent attention units (RAUs), to recognize temporal variations and learn object trajectories. Through sequential visual data analysis, the system is capable of distinguishing between stationary and dynamic obstacles, hence enhancing situational awareness. The temporal information enables the system to anticipate the movements of objects, approximate the possible risks of collisions, and provide better-informed decision-making in dynamic settings. This ability is especially crucial in the real-life situations when the barriers like people or cars are constantly moving. As a result, the Spatial–Temporal Fusion Network significantly enhances navigation safety and reliability.

3.Dynamic Resolution Scaling (DRS)

In order to realize the maximum computational efficiency, VISTA-Net has a Dynamic Resolution Scaling (DRS) mechanism that dynamically scales the processing resolution on scene complexity. In this scheme, high-risk areas (e.g. areas with obstacles or motion) are processed with a finer resolution to guarantee accurate detection, whereas low-risk areas or empty ones are processed with a coarser resolution to save on computational resources. This dynamic allocation approach minimizes the wasted processing, allows high frame rates of more than 30 frames per second and can be easily deployed to low-power embedded platforms like the Raspberry Pi. The DRS mechanism is similar to the human visual, with the eyes being directed to significant objects with a less detailed view of peripheral areas. Therefore, this module makes sure that there is a balance between accuracy and real-time performance.

4.Neuro-Inspired Edge Prioritization

The Neuro-Inspired Edge Prioritization module improves the robustness of the system, especially in the adverse environmental conditions like low light or in visually cluttered scenes. This module detects the edges and filters motions to highlight the contours of objects and their structures, inspired by the behavior of retinal ganglion cells in the human visual system. The system enhances its capability of identifying obstacles even in low visual clarity by emphasizing edges and contours. Moreover, the method is effective in differentiating objects better and reducing the influence of noise, which reduces false detection. This module facilitates the same and stable performance in the different environmental conditions and hence, the system is applicable in both indoor and outdoor navigation situations.

D. Sensor Fusion

The proposed system uses multi-modal sensor fusion approach to improve the accuracy of perception and reliability. It combines the information of both distance-based and vision-based sensing modalities to form a holistic view of the surroundings. The camera vision system is a real-time visual capturing system that gives details regarding the shape, texture and surrounding of the objects as well as the surrounding environment. This allows utilizing the methods of artificial intelligence in recognizing and classifying objects. Simultaneously, the ultrasonic sensor determines the distance to surrounding obstacles on the basis of the time-of-flight principle, providing accurate proximity data that is not dependent on the lighting conditions. These two sources of data are fused in the processing stage where the camera recognizes and labels objects as the ultrasonic sensor measures distance between the user and the objects. The system includes visual and spatial information, which makes it more accurate to represent the environment. This hybrid method has been shown to greatly enhance the overall detection rate, false positives and facilitate strong performance in diverse lighting conditions, such as bright and dark settings. Consequently, sensor fusion is important in allowing safe and accurate navigation among visually impaired users.

Algorithm 1: Vision-Inspired Spatial-Temporal Assistive Navigation

Input:

- Real-time video frames from camera
- Distance measurements from ultrasonic sensor

Output:

- Audio-based navigation instructions (e.g., “Obstacle ahead”, “Move left”, “Object at 2 meters”)

Step 1: Capture video and distance data

Step 2: Preprocess images (resize, denoise)

Step 3: Identify regions of interest (low-resolution scan)

Step 4: Detect obstacles (high-resolution processing)

Step 5: Analyze motion and predict trajectories

Step 6: Adjust resolution based on scene complexity

Step 7: Enhance edges for better detection

Step 8: Fuse camera and distance data

Step 9: Evaluate risk and decide action

Step 10: Generate voice alerts

Step 11: User responds accordingly

The suggested VISTA-Nav algorithm is used to record real-time information of the camera and a ultrasonic sensor to identify obstacles effectively. Pre-processing and analysis with the help of an AI-based model are used to determine objects and estimate their movement and distance. Sensor fusion uses visual and distance information to enhance accuracy, whereas dynamic processing is used to guarantee a fast performance. Depending on the risk identified, a speaker can be used by the system to come up with voice alerts so that the user can easily navigate safely and autonomously.

IV. RESULTS AND DISCUSSION

This part is introducing the performance analysis and report on the developed Blind Vision system. The system is implemented with integrated hardware devices such as Raspberry Pi, ultrasonic sensor, Pi camera and speaker. Functional testing is in progress to test accuracy, response time and efficiency of audio feedback in obstacle detection. This part aims to examine the effectiveness of the system in aiding the safe navigation and enhancing mobility among the visually impaired individuals in the various environmental conditions. Table I is a summary of the hardware requirements that are used to test and develop the system.

TABLE 1: SYSTEM HARDWARE REQUIREMENTS

Component	Specification
System	Pentium IV 3.5 GHz or Latest Version
Hard Disk	40 GB
Monitor	14' Color Monitor
Mouse	Optical Mouse
RAM	1 GB

The components listed are supporting programming, data storage, visualization and processing operations. The performance of the real-time implementation and testing of the Blind Vision system is smooth owing to adequate memory and processing capabilities.



FIG 3: RASPBERRY PI-BASED BLIND VISION SYSTEM

The figure 3 is depicting the Raspberry Pi module as the central processing unit of the Blind Vision system. The board is incorporating a variety of interfaces such as USB ports, HDMI out, GPIO pins, and camera interface that allow the board to communicate easily with other components like the ultrasonic sensor, Pi camera and the speaker. The ribbon cable connection is supporting the transfer of data at high speed between the camera module and the processing unit and the sensor input and output control is being done via the GPIO pins. The small and light form of the Raspberry Pi is enabling wearability and portability. Sensors and image data are continuously being processed by the Raspberry Pi, and audio messages are being sent back to the speaker, during system operation. Low latency and correct obstacle identification is being provided through efficient processing of real time data. The hardware arrangement as depicted in the figure is establishing the central processing unit that is to be used to provide integration of sensing, processing and feedback into the system.

E. Performance Evaluation

The created Blind Vision system is proving to be performing well in real-time obstacle detection and user guidance. The ultrasonic sensor is measuring the distances correctly over a viable range so that it does not miss any obstacles that would be present around it both indoors and outdoors. Pi camera is also improving the functionality of the system by allowing it to recognize the objects and give other contextual information about the environment. Integrated sensor data is enhancing the ability to make detects and minimize the risk of failures to detect obstacles. The Raspberry Pi is handling sensor and image data effectively, producing audio notifications and creating them with the least delay. Voice feedback in real time is enabling users to react fast to roadblocks and enhance safety and confidence in navigation. There is consistency in the accuracy of detection and response time being observed on repeated testing of varying conditions. The system is performing steadily without relying on internet connectivity making it reliable in every environment. The 3D-printed design is lightweight and making the device more portable and comfortable to the user, making it amenable to constant use. Affordability is being brought about by low-cost components, and more people are now more accessible. The combination of various modules is ending up producing a balanced system that is amalgamating the accuracy, speed, and usability.

F. Discussion

The results obtained are pointing to the fact that the combination of ultrasonic sensing and vision-based processing is leading to a great improvement in system performance in comparison to single-sensor methods. Distance sensing and environmental sensing Multimodal sensing is offering distance information and environment sensing to result in more precise and dependable detection of obstacles. The Raspberry Pi has real-time processing ability that is guaranteeing real-time response which is important in safe navigation. Although effective performance has been attained, some limitations are still being experienced. Detection based on vision is proving to be reliant on the light conditions, and there is a possibility that the accuracy of the system can be affected in very low-light situations. Image analysis is driving up processing load and could limit scalability to more advanced AI-based features. Future development is also centered on the incorporation of GPS modules to determine the location, introduction of the latest object recognition algorithms, and streamlining the system through optimization of processing procedures. In general, the Blind Vision system is achieving the goal of creating an affordable, portable, and effective assistive device. Its outcomes are proving to have high potential

of real world application and its further developments are making it possible to transform it into an entirely intelligent system of navigation to visually impaired people.

V. CONCLUSION AND FUTURE WORK

The Blind Vision system is presenting an effective and affordable assistive solution for visually impaired individuals by enabling safe and independent navigation. Combination of ultrasonic sensing and camera-based vision is enhancing the accuracy of obstacle detection and environmental awareness. Quick response and reliable audio feedback is being guaranteed by real-time data processing with Raspberry Pi, and this will improve user safety and confidence. The wearable and lightweight design is facilitating round-the-clock use, and low-cost components are enabling the system to be affordable to more of the population. The fact that the system has been performing consistently in testing is a pointer to the fact that the system is indeed meeting the desired goals of accuracy, efficiency, and usability in both indoor and outdoor settings. The future work is on better system intelligence and functionality with enhanced technologies. The addition of GPS modules is making real-time location tracking and navigation support possible. The use of artificial intelligence to recognize objects is enhancing the ability to recognize and categorize the objects around. Processing algorithm optimization is minimizing latency and maximizing energy efficiency. Remote monitoring and updates are being facilitated with addition of wireless connectivity features. The continued enhancement in design and miniaturization is making the system more comfortable and portable, making it a more robust and fully intelligent assistive system.

REFERENCES

- [1]M. D. Messaoudi, B.-A. J. Menelas, and H. Mcheick, "Review of navigation assistive tools and technologies for the visually impaired," *Sensors*, vol. 22, no. 20, p. 7888, 2022.
- [2]N. N. Alotaibi, M. M. Alnfai, M. M. Alnahari, S. M. M. Alnefaie, and F. A. Alotaibi, "Advanced fusion of IoT and AI technologies for smart environments: Enhancing environmental perception and mobility solutions for visually impaired individuals," *Image Vis. Comput.*, p. 105827, 2025.
- [3]R. Awad and C. H. Corbato, "A Context Awareness Framework for Real-Time Analysis and Adaptive Navigation in Dynamic Indoor Environments".
- [4]J. K. Mehr, M. Akbari, P. Faridi, H. Xing, V. K. Mushahwar, and M. Tavakoli, "Artificial-intelligence-powered lower limb assistive devices: future of home care technologies," *Adv. Intell. Syst.*, vol. 5, no. 6, p. 2200361, 2023.
- [5]A. Fascista, "Toward integrated large-scale environmental monitoring using WSN/UAV/Crowdsensing: A review of applications, signal processing, and future perspectives," *Sensors*, vol. 22, no. 5, p. 1824, 2022.
- [6]A. Saha, B. C. Dhara, S. Umer, K. Yurii, J. M. Alanazi, and A. A. AlZubi, "Efficient obstacle detection and tracking using RGB-D sensor data in dynamic environments for robotic applications," *Sensors*, vol. 22, no. 17, p. 6537, 2022.
- [7]M. Valipoor, A. de Antonio, and J. Cabrera, "Analysis and design framework for the development of indoor scene understanding assistive solutions for the person with visual impairment/blindness," *Multimed. Syst.*, vol. 30, no. 3, p. 152, 2024.
- [8]A. Mnassri, S. Nasri, M. Boussif, and A. Cherif, "Real-time voice-controlled human machine interface system for wheelchairs implementation using Raspberry Pi," *Int. J. Veh. Inf. Commun. Syst.*, vol. 9, no. 1, pp. 81–102, 2024.
- [9]E. Malaekah et al., "Sound-based navigation system for visually impaired individuals," *J. Radiat. Res. Appl. Sci.*, vol. 19, no. 1, p. 102160, 2026.
- [10]N. Solanki and S. Kumar, "Smart Ultrasonic Glasses for Blind People using Piezoelectric Sensors," *Int. J. Sci. Res. Sci. Technol.*, vol. 12, no. 2, p. 10.32628, 2025.
- [11]S. Lokesh, P. Sukesh, S. Tejaswini, M. Meera, and G. Udhayakumar, "IoT-powered wearable assist device for visually impaired," *Disabil. Rehabil. Assist. Technol.*, pp. 1–12, 2025.
- [12] P. Xu, A. Song, and K. Wang, "Intelligent head-mounted obstacle avoidance wearable for the blind and visually impaired," *Sensors*, vol. 23, no. 23, p. 9598, 2023.
- [13]N. Nasser, A. Y. Ali, L. Karim, and A. Al-Helali, "Enhancing mobility for the visually impaired with ai and iot-enabled mobile applications," *Sci. Prepr.*, 2024.
- [14]I. P. Okokpujie, M. I. Ma'arof, M. V. Odira, O. Omidiora, J. O. Dirisu, and K. Okokpujie, "Development of Arduino-Based Ultrasonic Smart Glasses with Haptic Feedback for Visually Impaired Users," *NIPES-J. Sci. Technol. Res.*, vol. 7, no. 3, pp. 319–337, 2025.
- [15]A. Yadav, M. Dilkhush, and A. Ansari, "Assistive Technology Solution for Visually Impaired/Low Vision Students for Their Schooling," *Assist. Technol.*, vol. 11, no. 01, 2025.



INTERNATIONAL
STANDARD
SERIAL
NUMBER
INDIA



INTERNATIONAL JOURNAL OF INNOVATIVE RESEARCH

IN SCIENCE | ENGINEERING | TECHNOLOGY

 9940 572 462  6381 907 438  ijirset@gmail.com



www.ijirset.com

Scan to save the contact details